



# EZAnalog™ Package Table of Contents

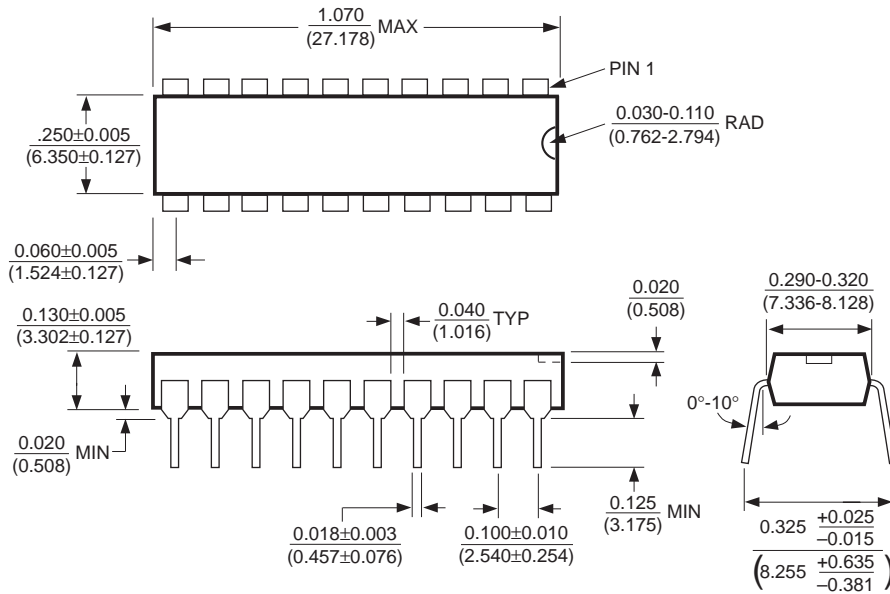
## PACKAGE INFORMATION

### Package Dimensions

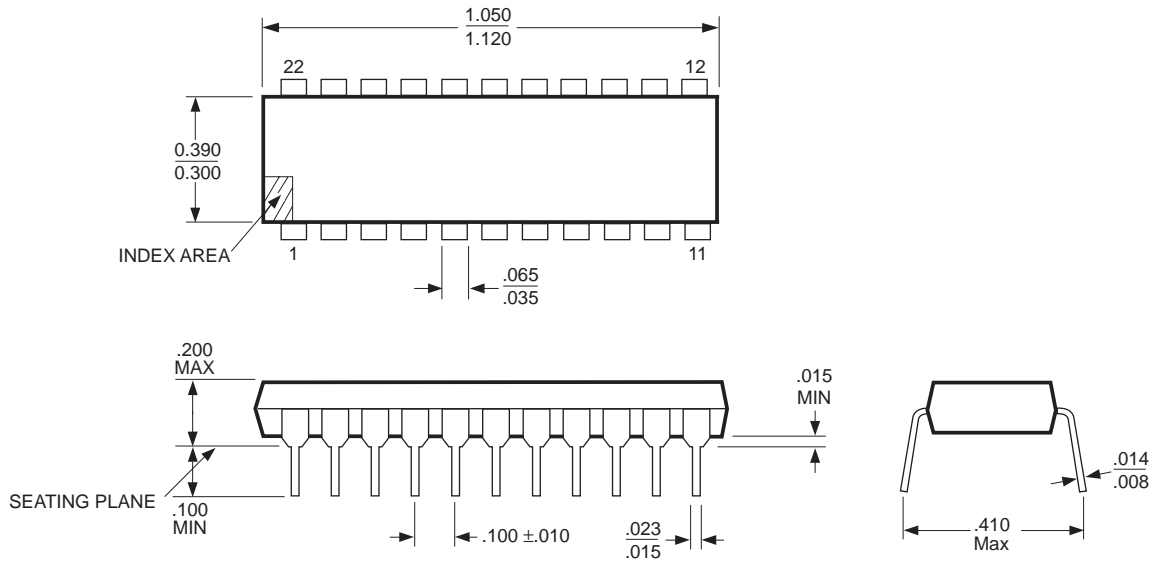
20-Pin Plastic DIP .....	2
22-Pin Plastic DIP .....	2
24-Pin Plastic DIP .....	3
28-Pin Plastic DIP .....	3
40-Pin Plastic DIP .....	4
48-Pin Plastic DIP .....	4
20-Pin Ceramic DIP .....	5
22-Pin Ceramic DIP .....	5
24-Pin Ceramic DIP .....	6
40-Pin Ceramic DIP .....	6
48-Pin Ceramic DIP .....	7
24-Pin Wide SOIC .....	7
20-Pin PLCC .....	8
28-Pin PLCC .....	8
44-Pin PLCC .....	9
20-Lead LCC .....	10
40-Lead LCC .....	10
44-Pin CerQuad .....	11
52-Pin QFP .....	12
52-Pin PLCC .....	13
68-Pin PLCC .....	14

For Custom packages or those not listed, e-mail [help@ezanalog.com](mailto:help@ezanalog.com).

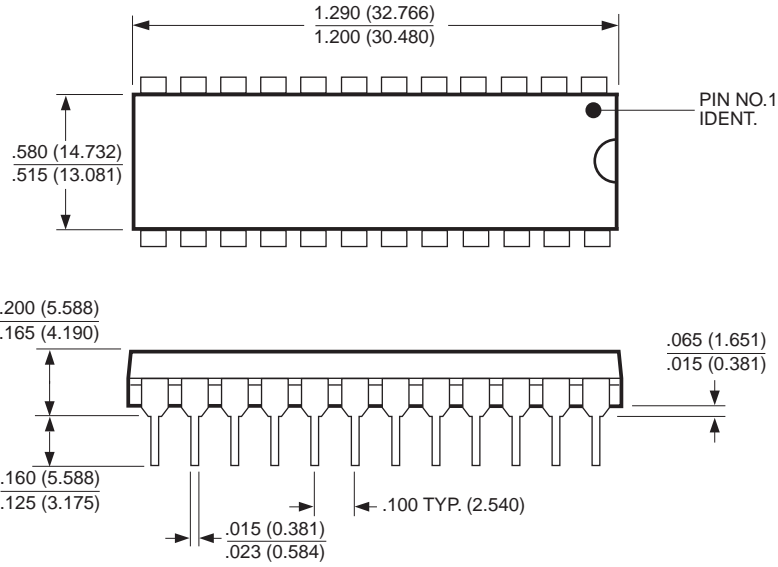




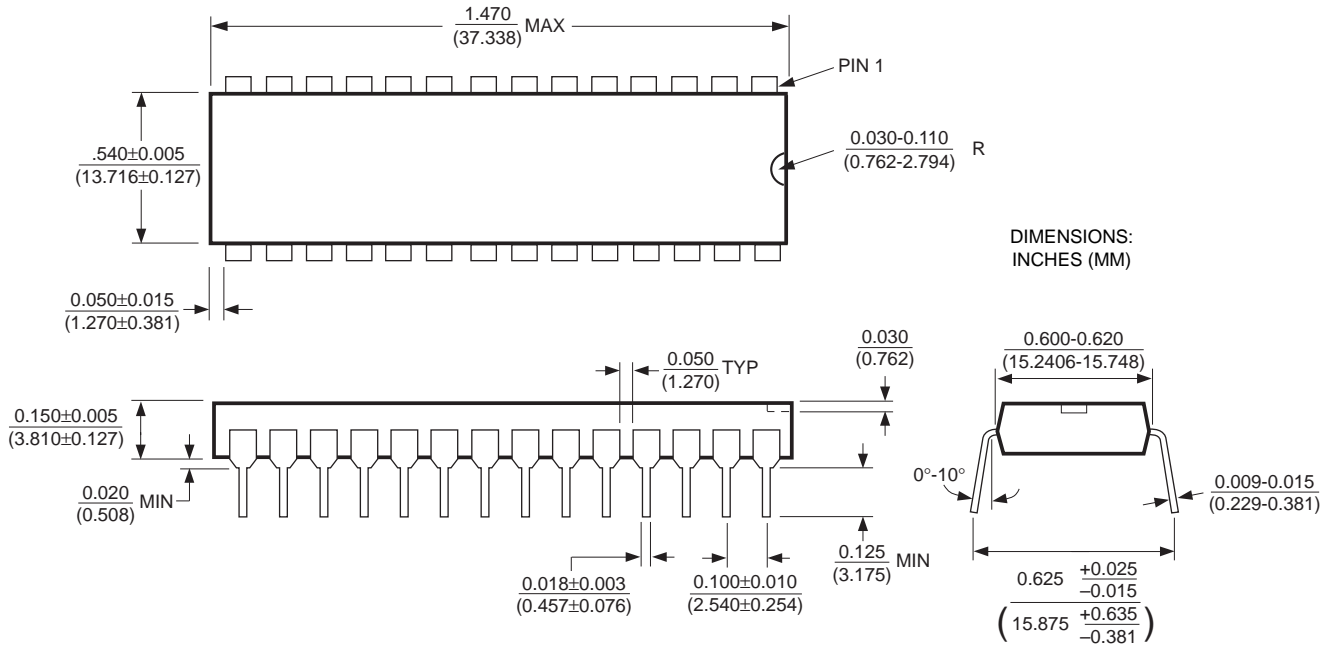
20-Pin Plastic DIP (N)



22-Pin Plastic DIP (N)

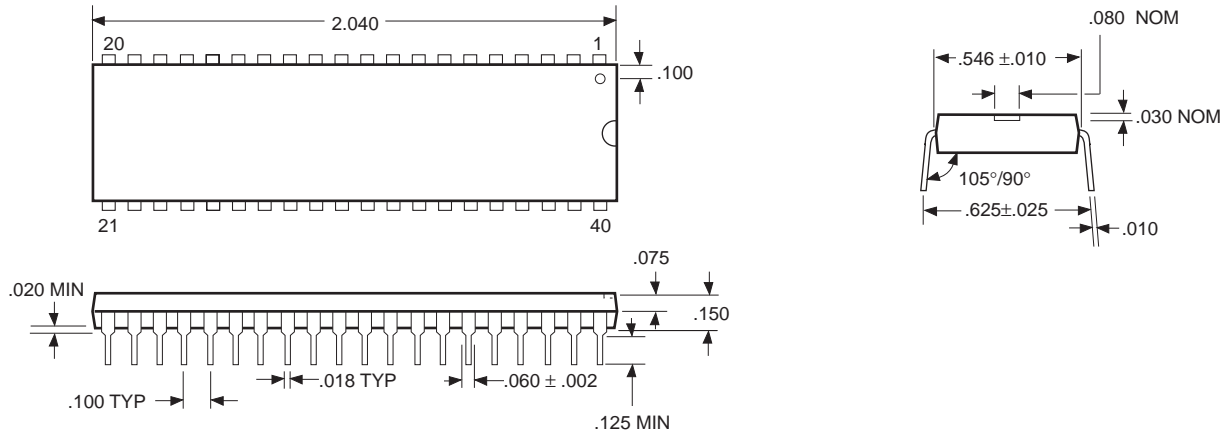


24-Pin Plastic DIP (N)

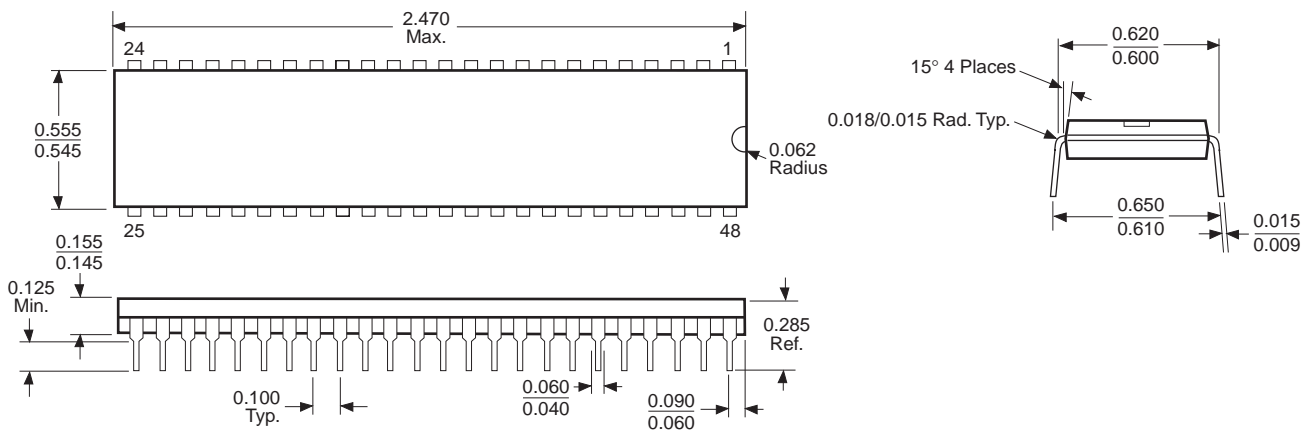


28-Pin Plastic DIP (N)

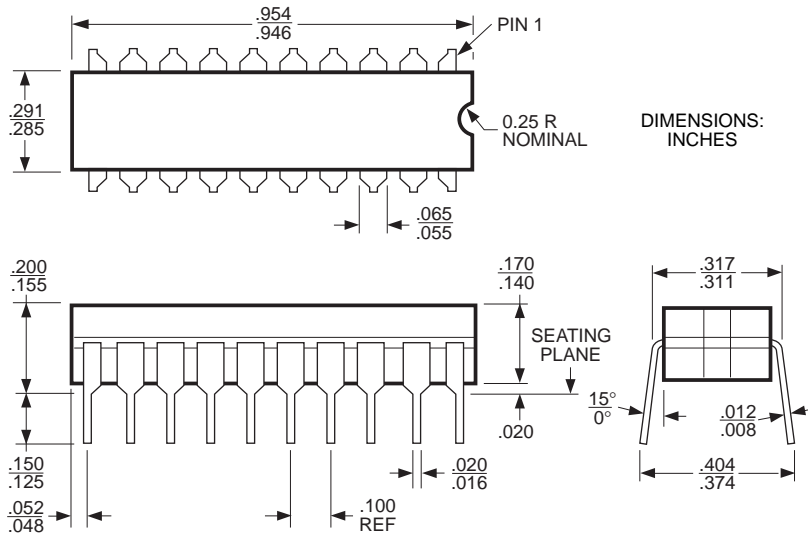
**Note:** Pin 1 is denoted by one or more of the following: a notch, a printed triangle, or a mold mark.



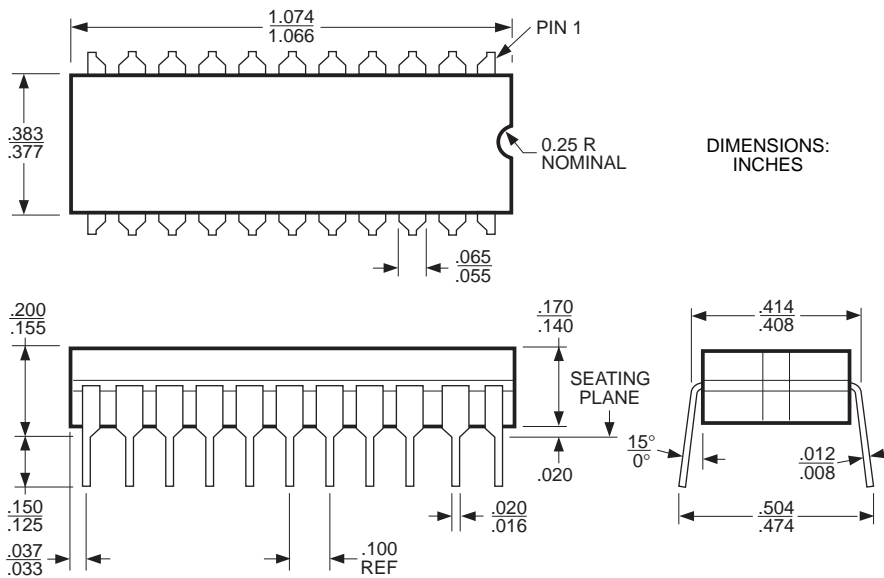
**40-Pin Plastic DIP (N)**



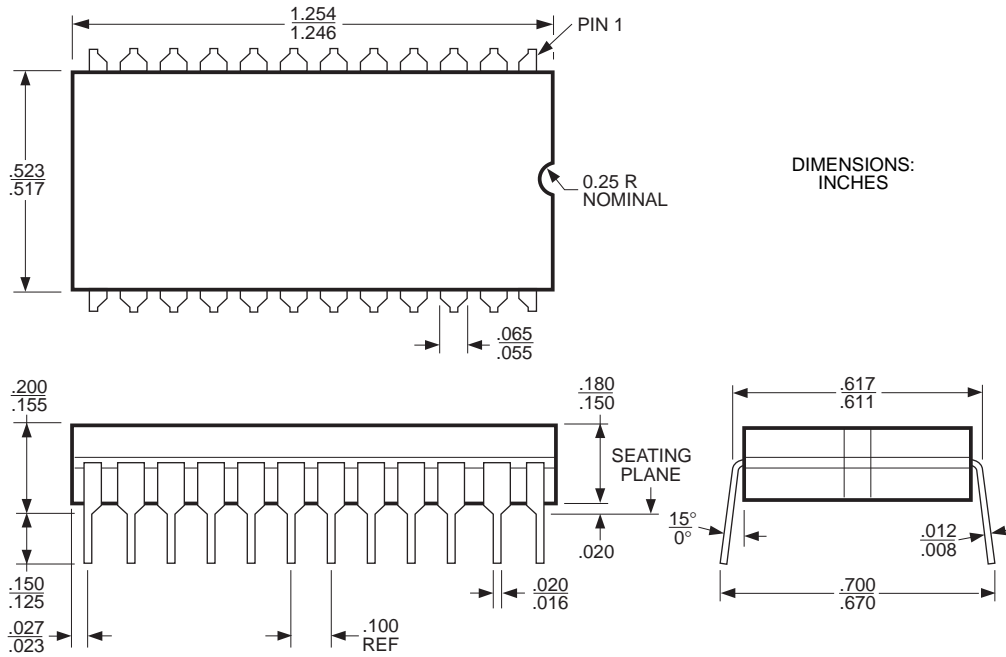
**48-Pin Plastic DIP (N)**



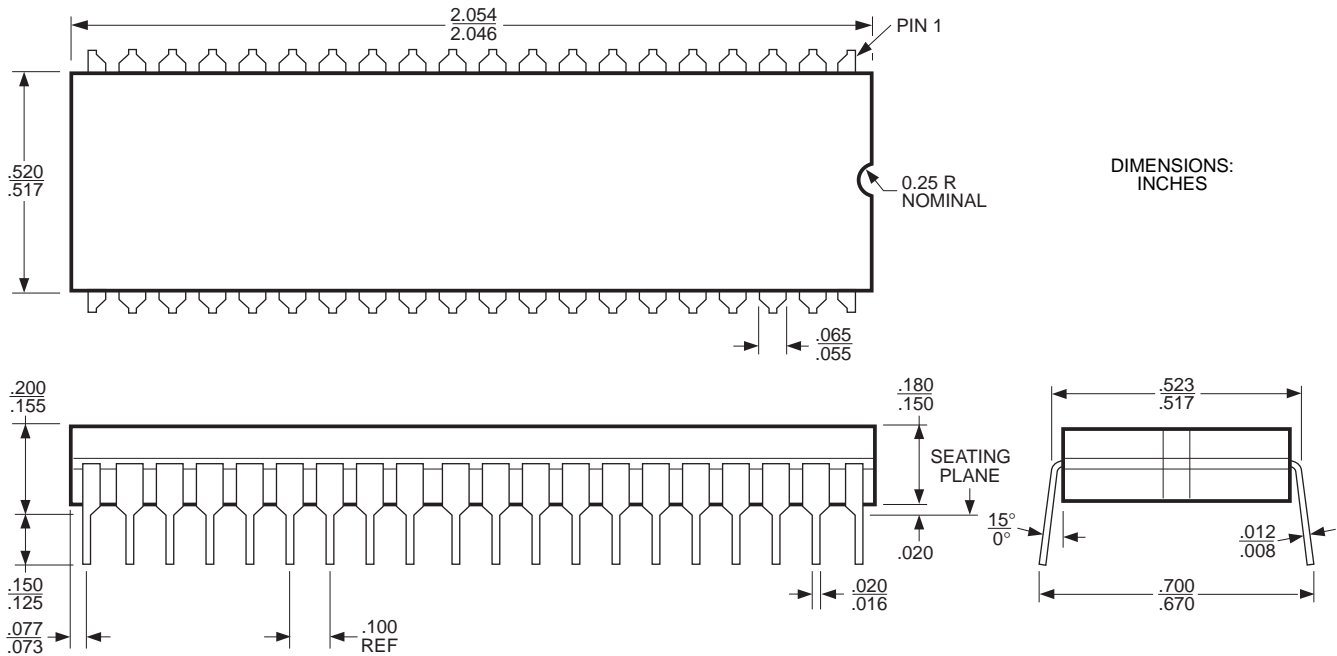
20-Pin Ceramic DIP (J)



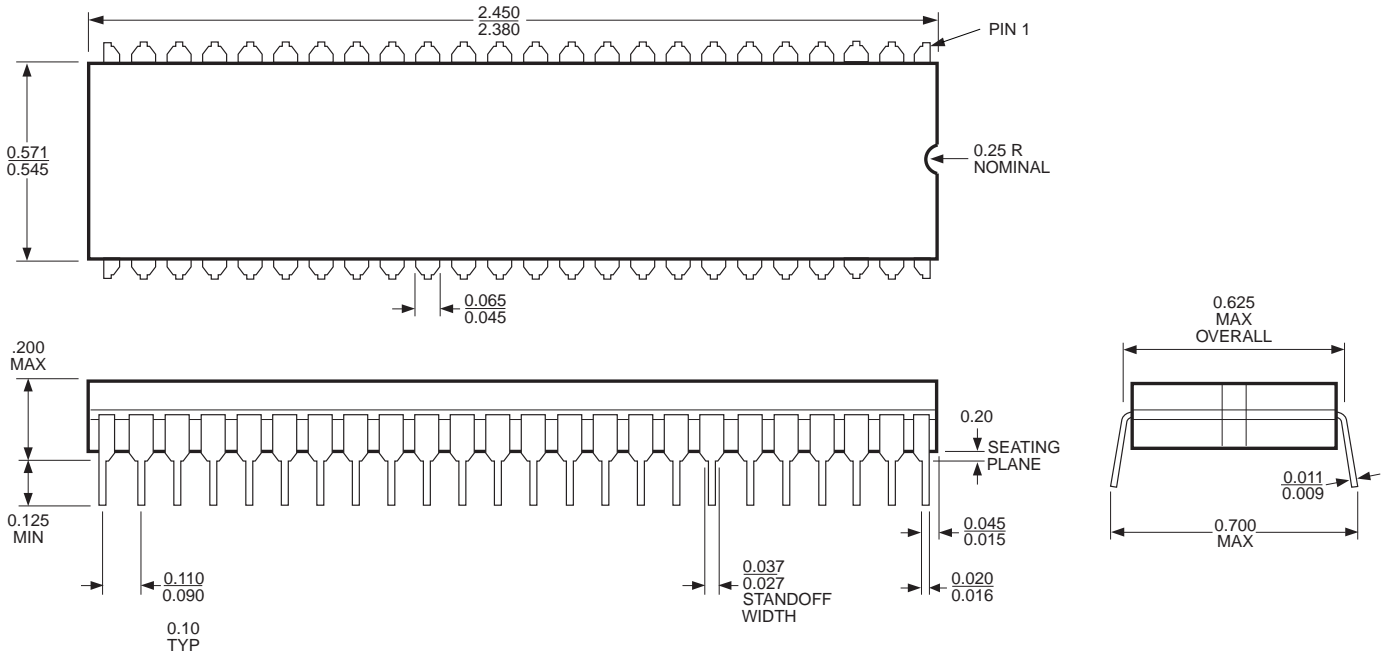
22-Pin Ceramic DIP (J)



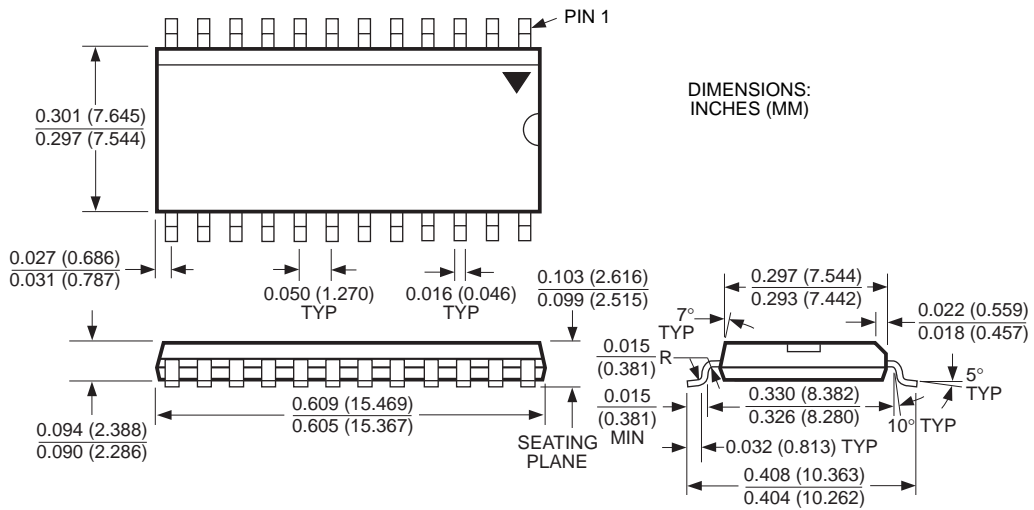
24-Pin Ceramic DIP (J)



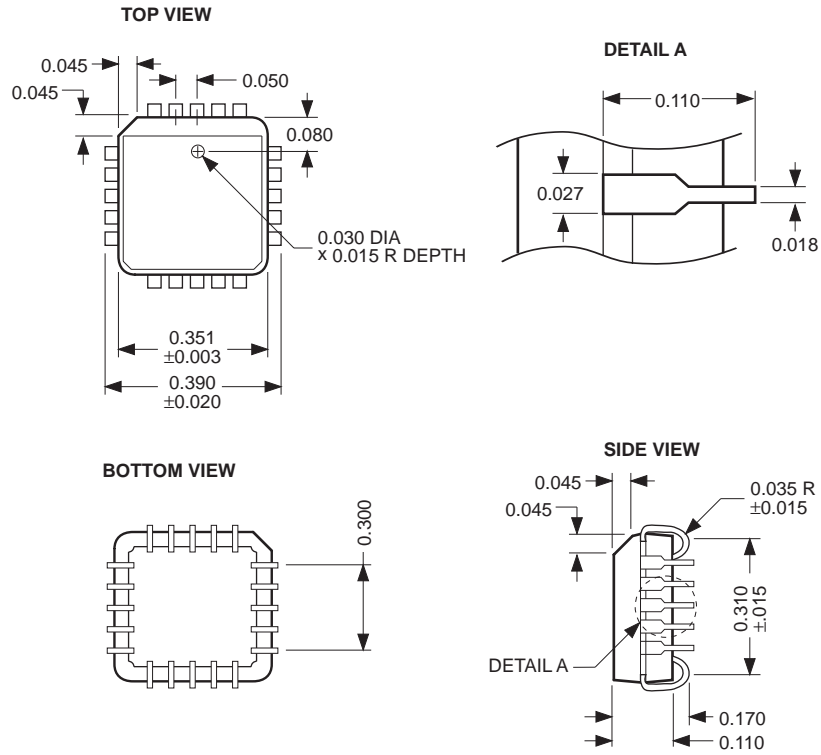
40-Pin Ceramic DIP (J)



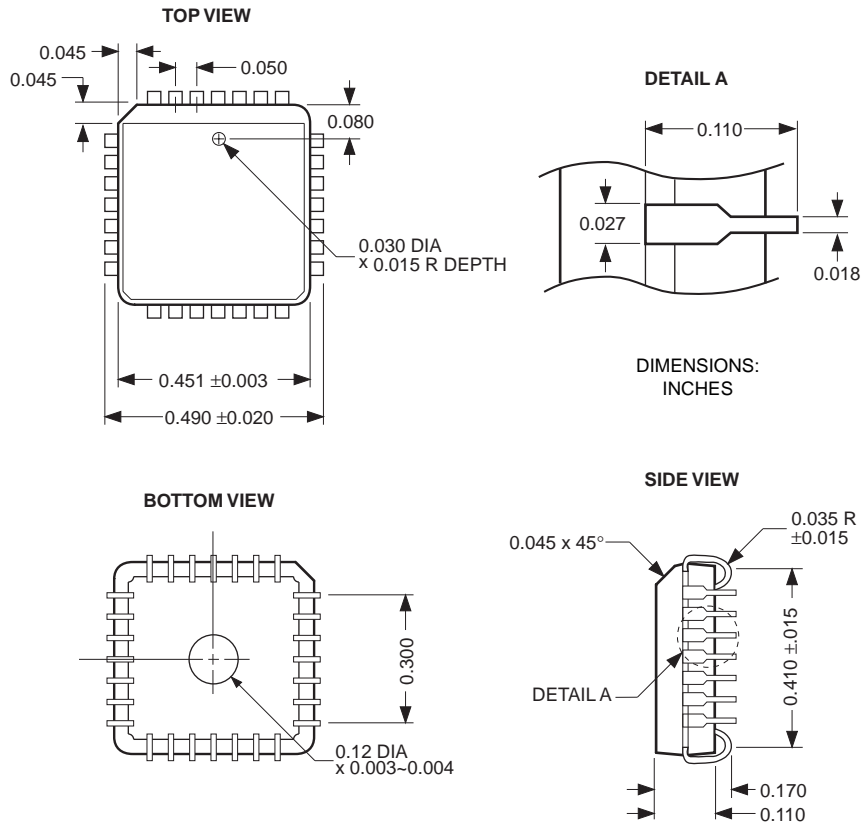
48-Pin Ceramic DIP (J)



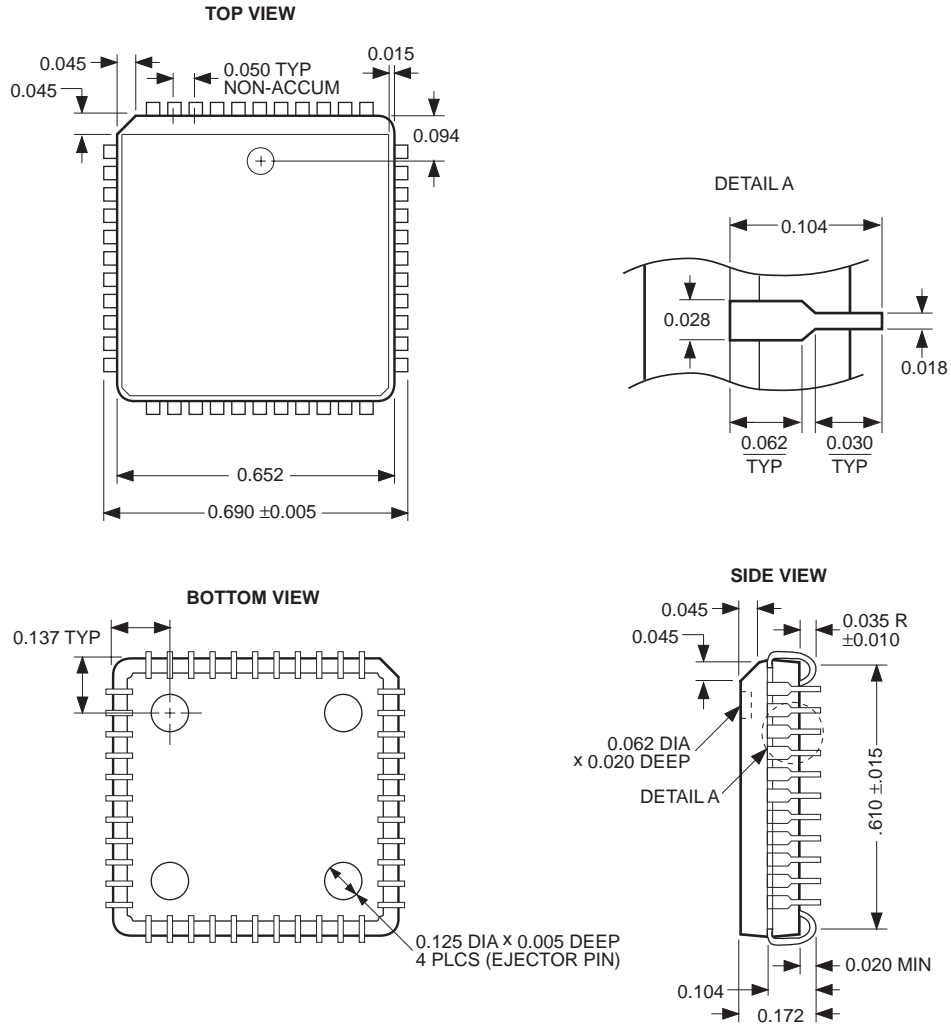
24-Pin Wide SOIC (WM)



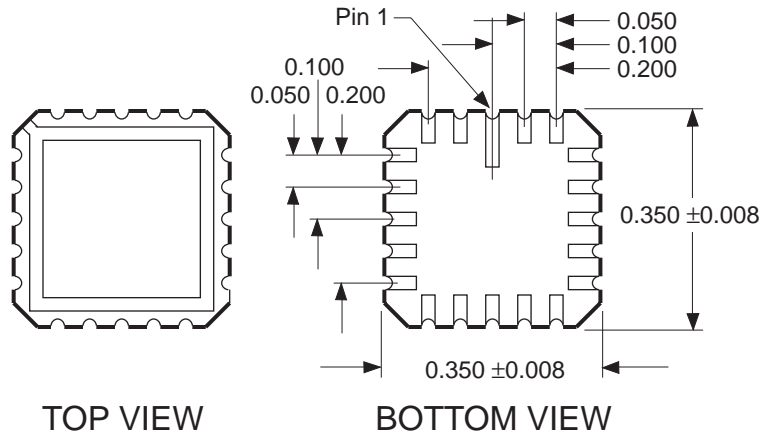
**20-Pin PLCC (V)**



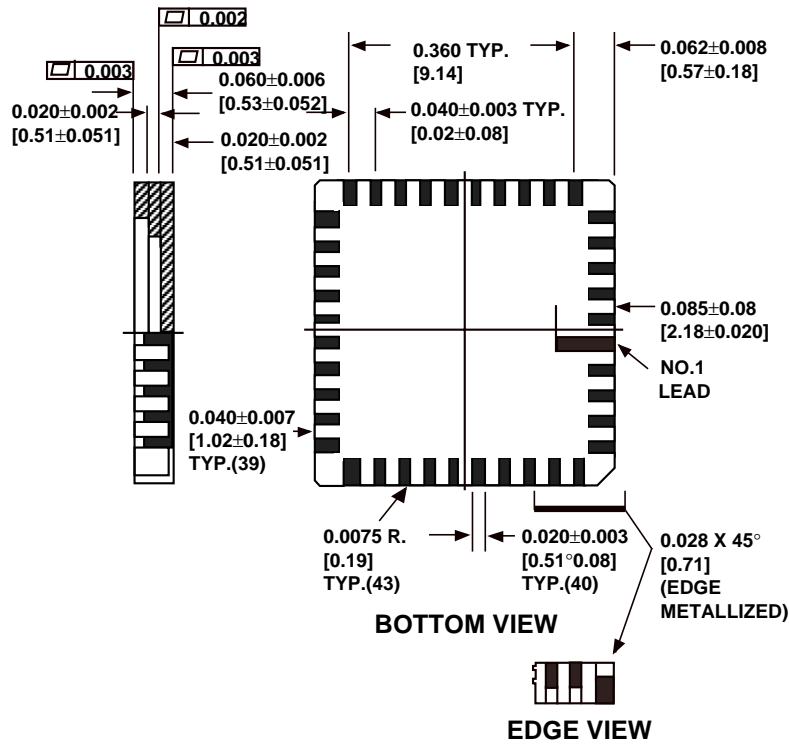
**28-Pin PLCC (V)**



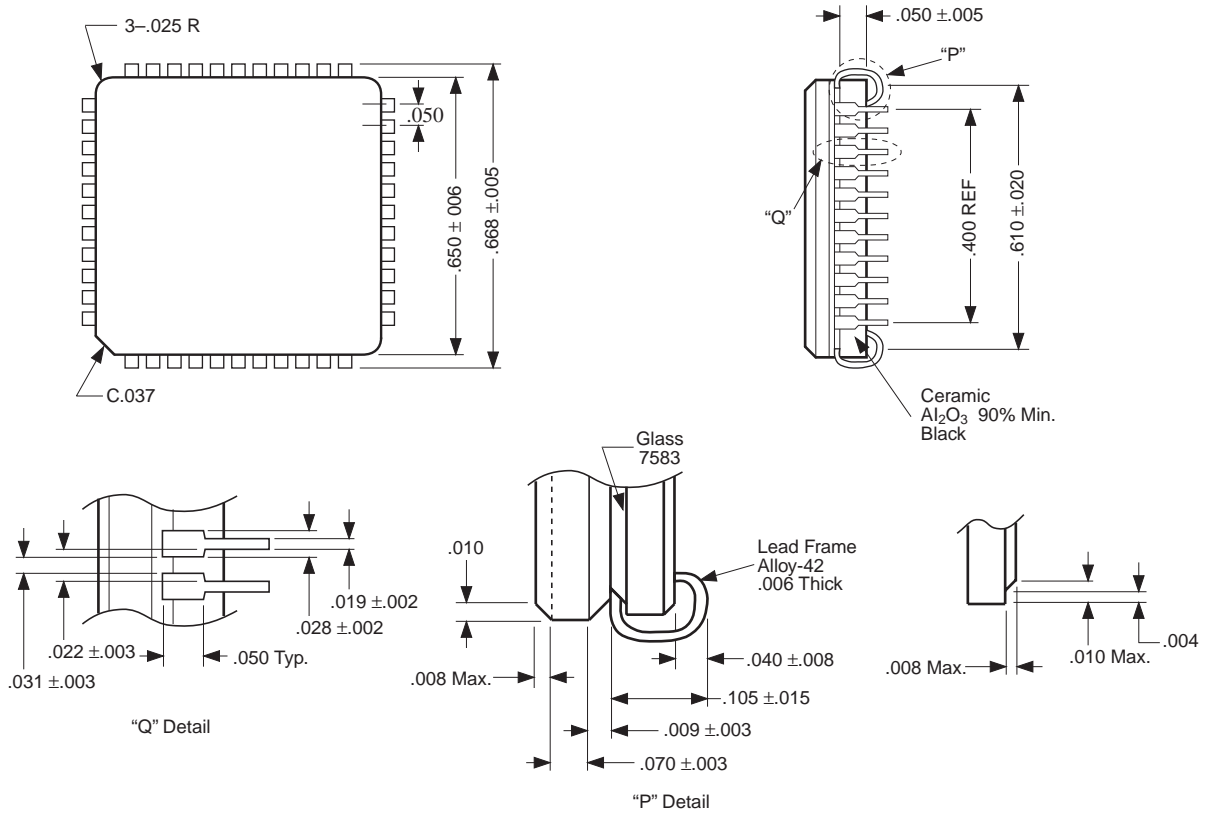
44-Pin PLCC (V)



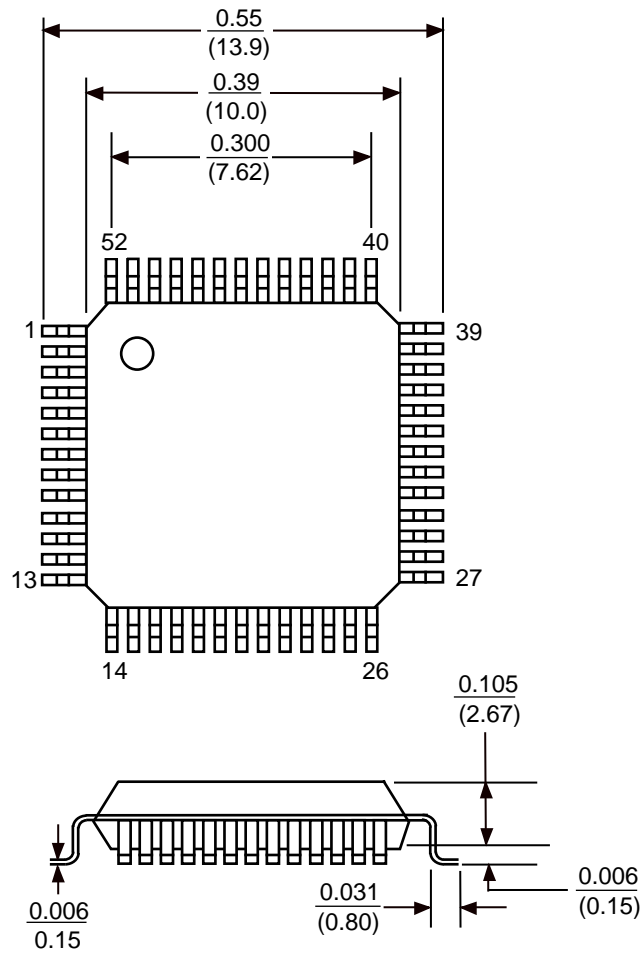
20-Lead LCC (L)



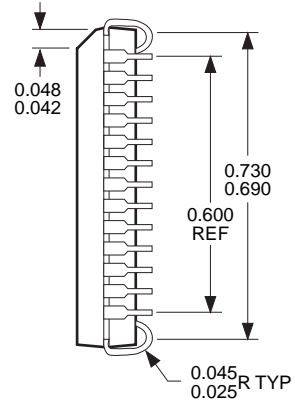
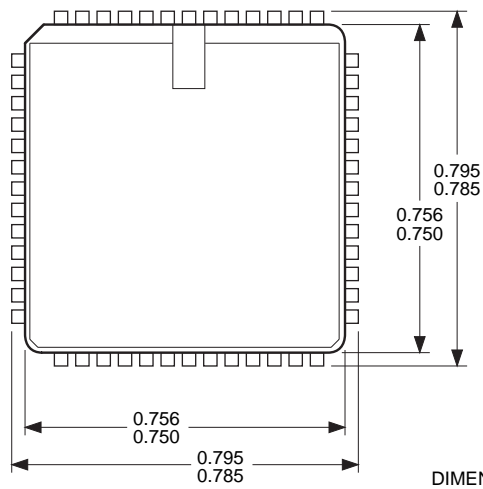
40-Lead LCC (L)



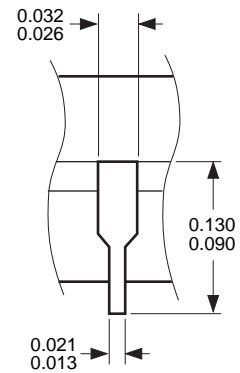
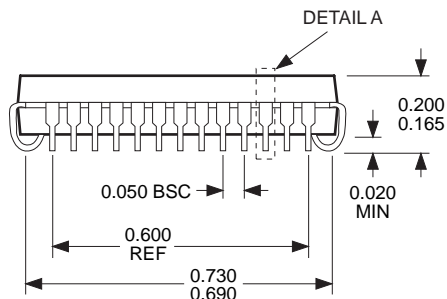
44-Pin CerQuad (E)



52-Pin QFP (Q)

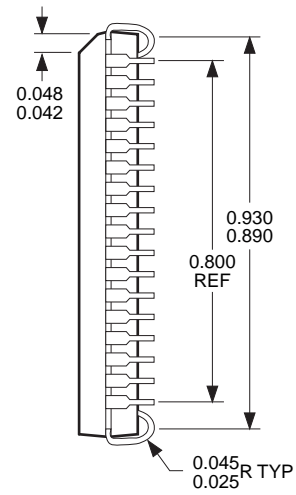
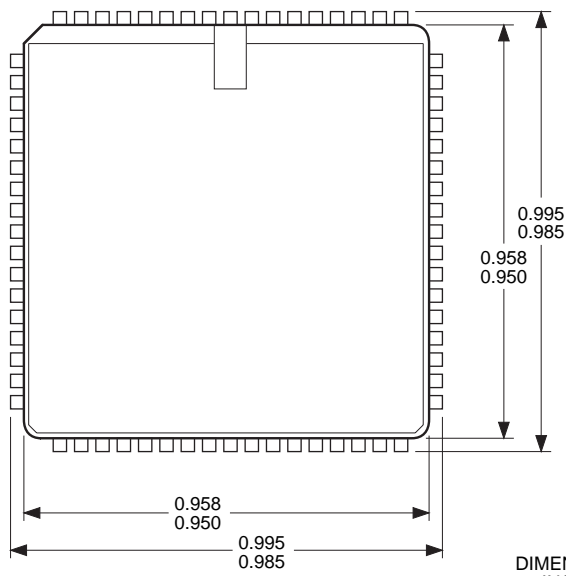


DETAIL A



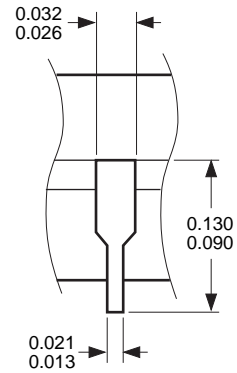
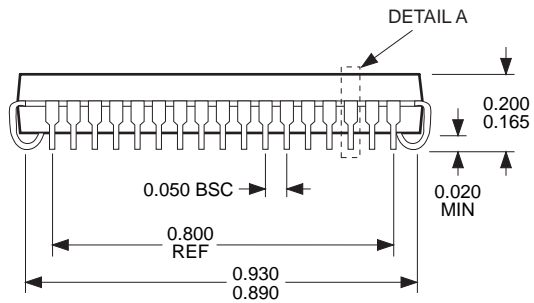
DIMENSIONS:  
INCHES

52-Pin PLCC (V)



DETAIL A

DIMENSIONS:  
INCHES



68-Pin QFP (V)